

primus

laundry equipment

Xtreme
in innovation

Drying cabinet

DC 8, DC 16



FEATURES

- Very low energy consumption, only 0,5 kWh/kg, very short drying time, 42 minutes
- Four automatic programs and one program for timed drying
- HTS - measures the level of humidity every single second, to determine exactly when the textiles are dry.
- 16m (DC 8), 32m (DC 16) hanging length
- Double overheat-protection for increased security.
- The top is removable for easier handling and installation.
- Test program and error codes make it easier for maintenance
- Double sheet metal in sides and doors minimize loss of energy
- Hanging frame can be rotated 90° (DC 16), 180° (DC 8)
- Three fans (2x DC 8) create perfect balance between evacuated and re-circulated air
- Service menu with possibilities to adjust the function of the cabinet

OPTIONS

- Can be ordered with left-hand hanging frame
- Can be ordered with single rack bar
- Hook rack, set of three

MARKETS

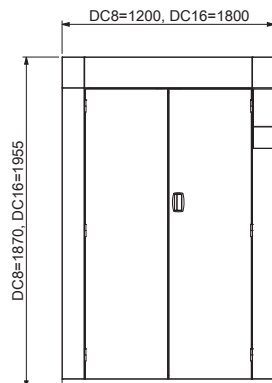
Laundries, Laboratory, Fire brigades, Police stations, Army, Airports, Campings, Golf clubs, Football clubs, Diving schools, Theatres, Spas, Horse farms, Oil platforms, Ski resorts, Fish industries, Marines, Ships

Main specifications		DC 8	DC 16
Loading capacity	kg/lbs	up to 8 kg/17,6 lbs	16
Drying capacity	g/min	62*	81**
Hanging length	m/feet	16	30
Drying time,	min	42*	64**
Evacuated air	m ³ /h	340 (max)	550
Heating effect	kW	6,0	9,0
Total effect	kW	6,3	9,45
Energy consumption /kg	kWh	0,5	0,54

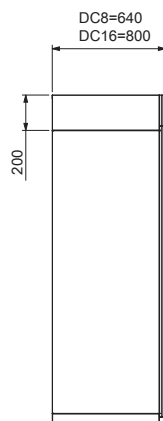
* Drying of 6 kg cotton (dry weight), washed and high-spinned to 43% residual moisture, dried to 0% residual moisture.
** Drying of 12 kg cotton (dry weight), washed and high-spinned to 43% residual moisture, dried to 0% residual moisture.

Technical specification		DC 8	DC 16
ELECTRICAL CONNECTIONS			
Electrical connection		3~N, 400 V, 50 Hz	3~N, 400 V, 50 Hz
Fuse	A	10	16
Total effect	kW	6,3	9,45
Heating elements	kW	6,0	9,0
AIR CONNECTIONS			
Outlet exhaust	ø mm/inch	125/4,92	160
Outlet air flow	m ³ /h	230	300
Pressure drop	max Pa	70	260
SOUND LEVEL			
Airborne sound level	dB(A)	62	59
SHIPPING DATA			
Net	kg/lbs	145/319,7	235/518
Crated	kg/lbs	14/31	40/88,2
Shipping data net	kg/lbs	159/350,5	275/606
Shipping volume	m ³	1,78	1,76
OPTIONAL EXTRAS			
Air exchanger 1 vent., 125 mm/4,9 inch	part number	141009	141009
Air exchanger 2 vent., 160 mm/6,3 inch	part number	141018	141018
Single bar	part number	131070	
Hook rack, set of three	part number	131071	131071
DIMENSIONS			
Width	mm/inch	1200/47,2	1800/71
Depth	mm/inch	640/25,2	800/31,5
Height	mm/inch	1870/73,6	1955/77

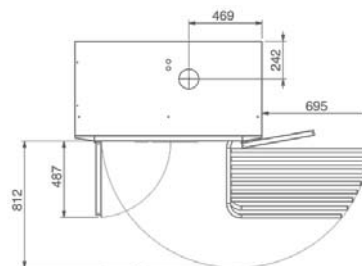
DCS 8 16



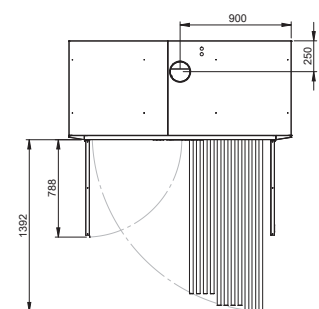
DCS 8 16



DCS 8



DCS 16



The company Primus preserves the right to change the machines and the specification in this leaflet at any time, without prior notice. Details and photographs are only for information and never binding.

www.primuslaundry.com

ISO 9001
ISO 14001
BUREAU VERITAS
Certification

